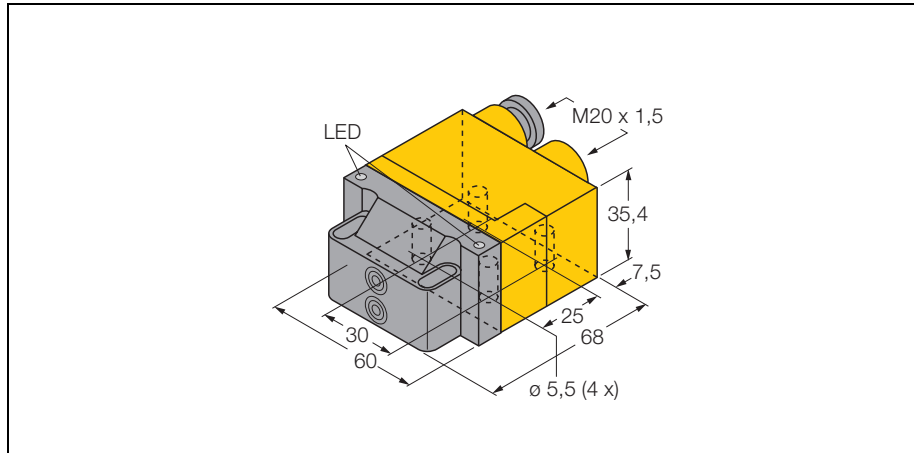
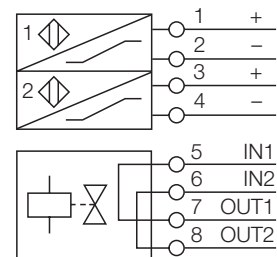


inductive dual sensor for rotary actuators Ni4-DSU26TC-2Y1X2



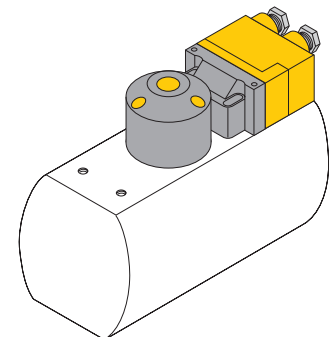
- dual sensor, housing style DSU26
- plastic, PP-GF30-VO
- two switching outputs for monitoring the position of rotary actuators
- mounting on all standard actuators without additional mounting hardware
- 2-wire DC, nom. 8.2 VDC
- 2 outputs according to DIN EN 60947-5-6 (NAMUR)
- terminal chamber

Wiring diagram



Function principles

Inductive proximity switches are designed for wear-free non-contact detection of metal objects. Dual sensors are especially designed for position detection in rotary actuators. They combine the reliability of non-contact inductive sensor with the flexibility of a modular housing system.



Type	Ni4-DSU26TC-2Y1X2
Ident-No.	1051005
Rated operating distance S_n	4 mm
Mounting mode	non-flush
Hysteresis (switching distance)	1... 10 %
Min. repeat accuracy	≤ 2 %
Temperature drift	≤ ± 10 %
Operating temperature	-25 ... + 70 °C
Voltage	nom. 8,2 VDC
Current consumption (off-state)	≥ 2,1 mA
Current consumption (on-state)	≤ 1,2 mA
Max. switching frequency	≤ 0,05 kHz
Output function	4-wire, NAMUR
Approval according to	KEMA 02 ATEX 1090X
Internal inductivity (L_i) / capacitance (C_i)	150 nF / 150 μH
Marking of device	Ⓔ II 2 G EEx ia IIC T6 (max. $U_i = 15$ V, $I_i = 60$ mA, $P_i = 200$ mW)
Warning	Avoid static charge
Housing style	dual sensor for valve monitoring; DSU26
Dimensions	68 x 60 x 35,4 mm
Housing material	plastic, PP-GF30
Active face	plastic, PP-GF30
Wiring	terminal chamber
Clamping ability	≤ 2,5 mm ²
Vibration resistance	55 Hz (1 mm)
Shock resistance	30 x g (11 ms)
Degree of protection	IP67
Switching status indication	2 x LED yellow / red
Included with sensor	2 cable glands, 1 blind plug

**inductive
dual sensor for rotary actuators
Ni4-DSU26TC-2Y1X2**

Mounting instructions

see mounting accessories

inductive dual sensor for rotary actuators Ni4-DSU26TC-2Y1X2

Accessories

Typ	Ident-No.	Description	Dimension drawing
BTS-DSC26-EB1	6900222	actuation kit (puck); end position dampened; hole pattern on flange surface 80 x 30 mm and 130 x 30 mm; connection shaft (shaft extension) height 20 mm / Ø max. 35 mm	
BTS-DSC26-EB2	6900223	actuation kit (puck); end position dampened; hole pattern on flange surface 80 x 30 mm and 130 x 30 mm; connection shaft (shaft extension) height 30 mm / Ø max. 50 mm	
BTS-DSC26-EB3	6900224	actuation kit (puck); end position dampened; hole pattern on flange surface 30 x 130 mm; connection shaft (shaft extension) height 30 mm / Ø max. 85 mm	
IM1-22EX-R/24VDC	7541210	Isolating switching amplifier, two channels; input for NAMUR signals; optional wire-break and short-circuit monitoring function; selectable normally open or normally closed performance; removeable terminal blocks; 18 mm wide; supply voltage 24 VDC; further isolating switching amplifiers in our "Interface Technology" catalogue.	